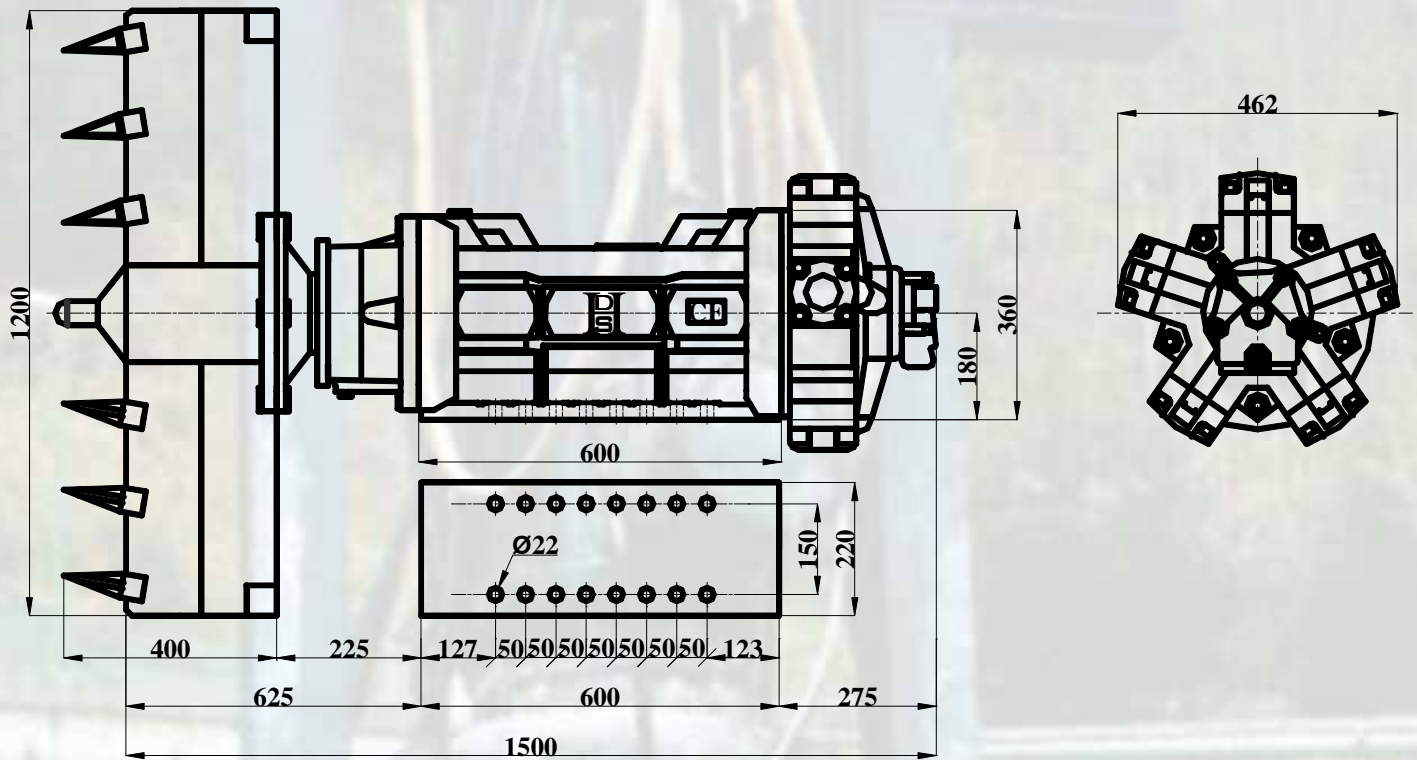




HYDRAULIC DREDGING SYSTEMS

EXCAVATOR EXHY 5000 HYDRAULIC DRIVEN



EXHY 5000	UPM – RPM – T/Min	20	40	60
CONTINUOUS DUTY	KW	10	19	28
DAUERBETRIEB	ÖL – OIL – HUILE L/Min	22	44	66
SERVICE CONTINU	KG	500		
250 BAR/4500 NM				

COMPACT SOIL AND CLAY. LIMESTONE
 HEAVY DUTY CONSTRUCTION. DIAMAX SHAFT SLEEVE
 OVERSIZED BEARINGS. OIL FILLED HOUSING
 SEAL PROTECTION WEAR PLATE WITH WATER FLUSH CONNECTION
 EPOXY PAINT

KOMPAKTES SAND UND LEEM. SANDSTEIN
 SCHWERAUSFUHRUNG. UBERDIMENSIONIERTE LAGER
 OELGEFULT
 SCHLEISSPLATTE MIT SPERWASSERANSCHLUSS
 DIAMAX WELLENSCHUTZHUELSE. EPOXY FARBE

SABLE COMPACT ET ARGILE. FORMATIONS DE PIERRES DE SABLE
 CONSTRUCTION ROBUSTE. ROULEMENTS SURDIMENSIONES
 BAIN D'HUILE. CHEMISE D'ARBRE EN DIAMAX
 PLAQUE D'USURE AVEC RACCORDEMENT EAU DE BARRAGE
 PEINTURE EPOXY

