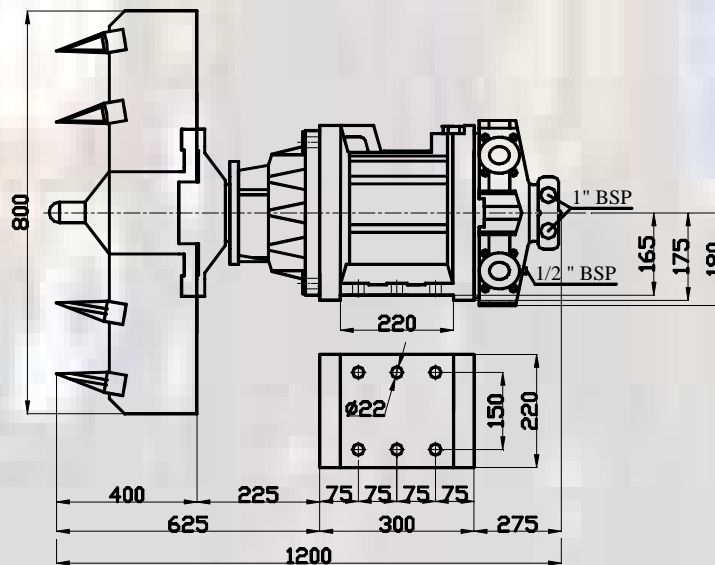


HYDRAULIC DREDGING SYSTEMS

EXCAVATOR EXHYC 3500 HYDRAULIC DRIVEN

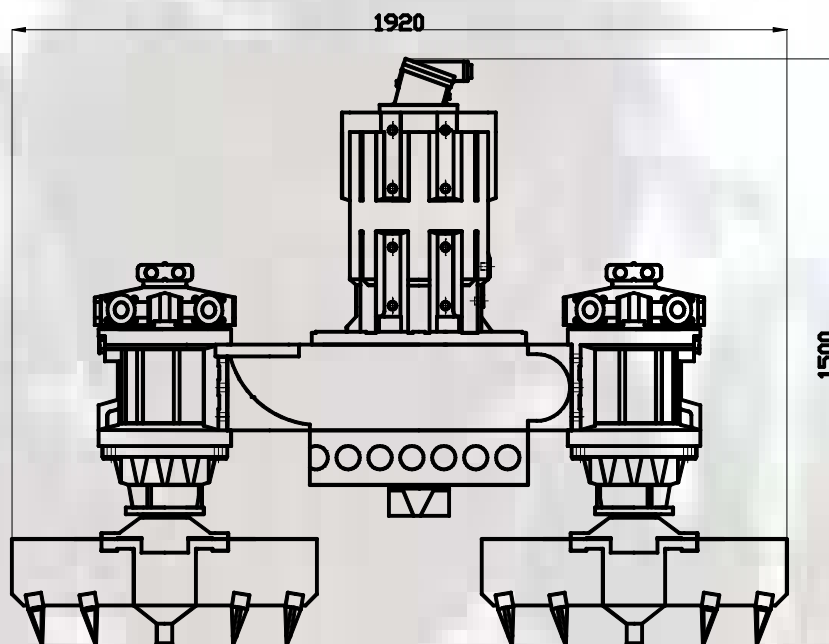


EXHY 3500 CONTINUOUS DUTY DAUERBETRIEB SERVICE CONTINU 250 BAR/3250 NM	UPM - RPM - T/Min	25	50	75	100
	KW	7	14	21	28
	ÖL - OIL - HUILE L/Min	22	45	68	91
	KG	320			

COMPACT SOIL AND CLAY. LIMESTONE
HEAVY DUTY CONSTRUCTION. DIAMAX SHAFT SLEEVE
OVERSIZED BEARINGS. OIL FILLED HOUSING
SEAL PROTECTION WEAR PLATE WITH WATER FLUSH CONNECTION
EPOXY PAINT

KOMPAKTES SAND UND LEEM. SANDSTEIN
SCHWERAUSFUHRUNG. UBERDIMENSIONIERTE LAGER
OELGEFULT
SCHLEISSPLATTE MIT SPERWASSERANSCHLUSS
DIAMAX WELLENSCHUTZHUELSE. EPOXY FARBE

SABLE COMPACT ET ARGILE. FORMATIONS DE PIERRES DE SABLE
CONSTRUCTION ROBUSTE. ROULEMENTS SURDIMENSIONES
BAIN D'HUILE. CHEMISE D'ARBRE EN DIAMAX
PLAQUE D'USURE AVEC RACCORDEMENT EAU DE BARRAGE
PEINTURE EPOXY



WEIGHT 1500 KG

WEBSITE : www.hdsbelgium.com

E - mail : hds@hdsbelgium.com